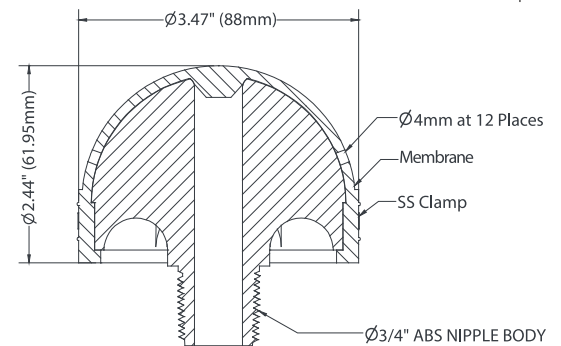


The SSI ReliaBall™ Coarse Bubble Diffuser System is a World Wide Winner

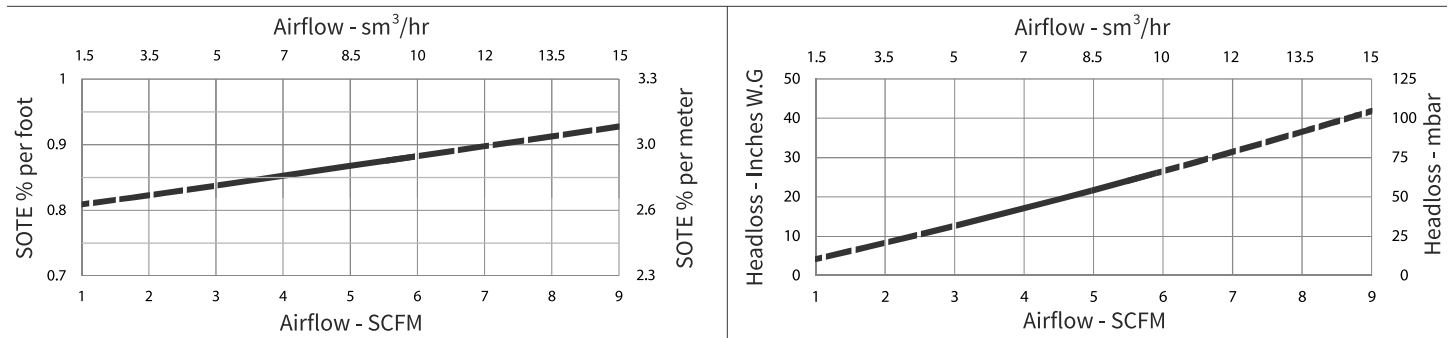
The SSI Coarse Bubble Diffuser System is called ReliaBall for a reason. It combines engineering excellence, superior component quality, and a technically advanced product design. The ReliaBall is intelligently designed to prevent clogging by automatically closing and sealing when the air is turned off.

The piping system integrity has a thicker wall pipe and double anchors for fewer breakages, and has an easy grommet connection for quick install on site. Proven highly durable and efficient in thousands of municipal and industrial installations around the world, SSI Aeration's ReliaBall is a name to trust.



Avg Operating Condition per Diffuser	Peak Air Flow per Diffuser	Holes on Membrane	Weight per Diffuser ReliaBall
3.0 - 6.0 SCFM 5.0 - 10.0 Sm ³ /hr	8.5 SCFM 15.0 Sm ³ /hr	4mm Dia 12 Places	0.44 lbs 0.2 kg

Operating diffusers distant to average operating conditions range might leads to poor uniform distribution and subjected to rapid fouling.



Above curves are generated based on ideal condition. Actual curves for specified project/condition to be provided upon request.

Unique System Strengths

Complete product line – creating the system that fits your needs

SSI manufactures disc diffusers and coarse bubble diffusers, and we mount these products on a wide range of piping materials including PVC, CPVC, PP and Stainless Steel. We have the ability to attach diffusers to pipe using saddles, grommets, or pre-assembled PODS. We can provide retrievable systems or fixed grids, and systems in kit form or mostly factory assembled. We try to understand and anticipate your needs, and fit our recommendations to your situation.

Comprehensive design service and after sales support

SSI provides full design services, including biological and mixing calculations, process simulations and hydraulic studies. We maintain a full drafting department with 3D and animation capabilities and we can assist with specifications and CAD drawings. Our service and installation crew can hold your hand during the early stages of the project and our worldwide multilingual staff is dedicated to your complete satisfaction.

Intelligent Upgrade Options

Patented PTFE membranes prolong efficiency and reduce whole-life costs

SSI's patented PTFE membrane barrier properties not only reduce plasticizer extraction, shrinking, and membrane hardening but also limit dynamic changes that can result from swell, such as creep. Compared with uncoated products that are more susceptible to increases in DWP due to more aggressive fouling and changes in physical properties and weight, the PTFE coated membrane improves consistency of DWP (Headloss) values over the product life. This directly impacts long-term power costs and the ability of the system to distribute air uniformly across the tank floor.

SSI Telemetry – the inside story solves maintenance problems

At the click of a mouse, you will know the DWP of your diffuser membranes, airflow rate to those monitored diffusers, and air temperature in the submerged piping system. You can sense vibration, pipe roll over, and water in the grid. Automatic moisture purging and automatic acid dosing systems are available. Through multiple cameras, you can see both inside the grids, and surface bubble patterns. Wet probes are also available for DO and WW temperature. Tracking all this data on a user-friendly online dashboard facilitates communication between consultant and client, manufacturer and rep. This smart technology lets you locate problem areas and allocate resources more efficiently. SSI Telemetry is your preventive maintenance hub in the heart of the plant.

The Reliaball diffuser is designed to prevent clogging due to rags or sludge and is ideal for installations in aerobic digesters, equalizations basins, and anoxic zones.



Grommet Connection

Simple to install on site, compact to ship and move. Affordably priced and time tested over 15 years worldwide.

Quick Connect Saddle

A split second connection to pipe with a quarter turn is all that is required, reducing labor cost to install disc aeration systems. An integral seal is provided in the saddle to ensure a leak-free connection.